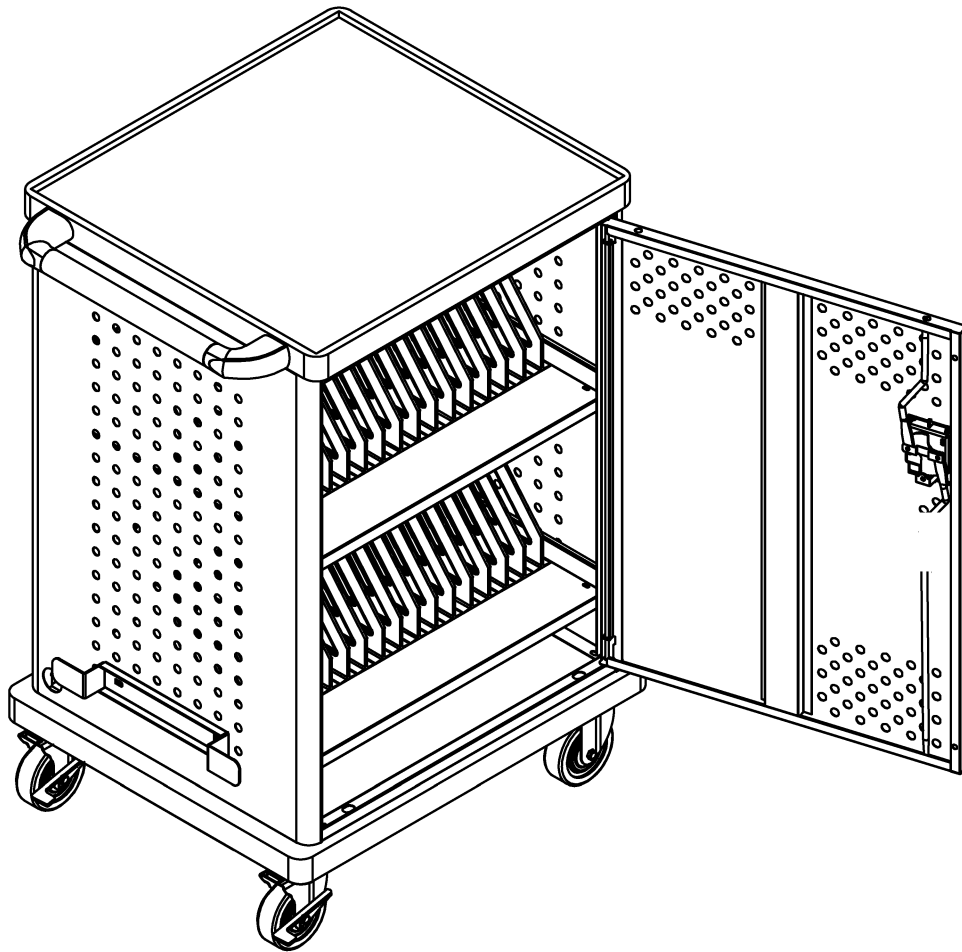




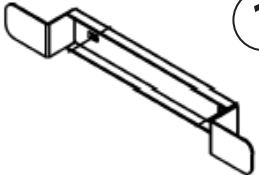
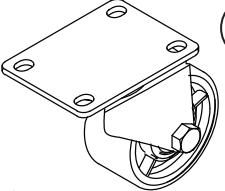
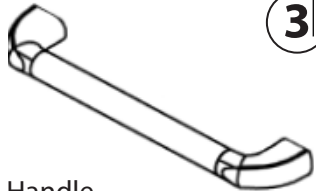
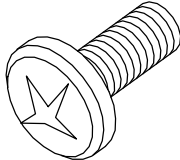
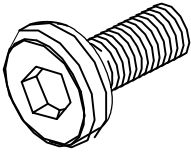
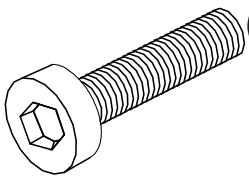
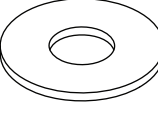
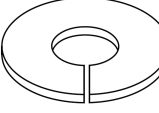


Duet Charging Cart



www.oklahomasound.com

OKLAHOMA SOUND Duet Charging Cart – Model # DCC

ACCESSORIES

 <p>1 Cord Management Hook Quantity: 1</p>	 <p>2 Casters Quantity: 4</p>	 <p>3 Handle Quantity: 1</p>	
 <p>4 Caster Screws Quantity: 16 units</p>	 <p>5 Cord Management Hook Bolt Quantity: 1</p>	 <p>6 Handle Bolts Quantity: 2</p>	
 <p>7 Caster Washers Quantity: 16</p>	 <p>8 Caster Washers Quantity: 16</p>	 <p>9 Small Allen Wrench Quantity: 1</p>	 <p>10 Large Allen Wrench Quantity: 1</p>

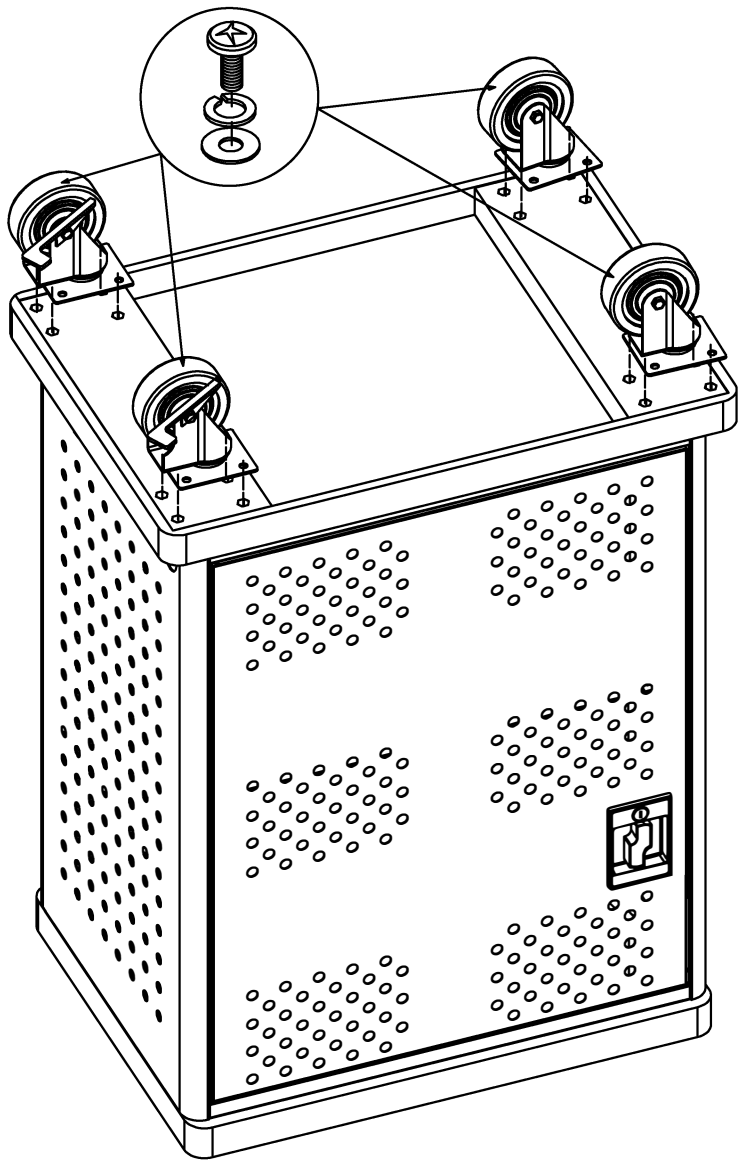
TOOLS FOR ASSEMBLY

- Phillips screwdriver
- Wrench
- Drill (Optional)

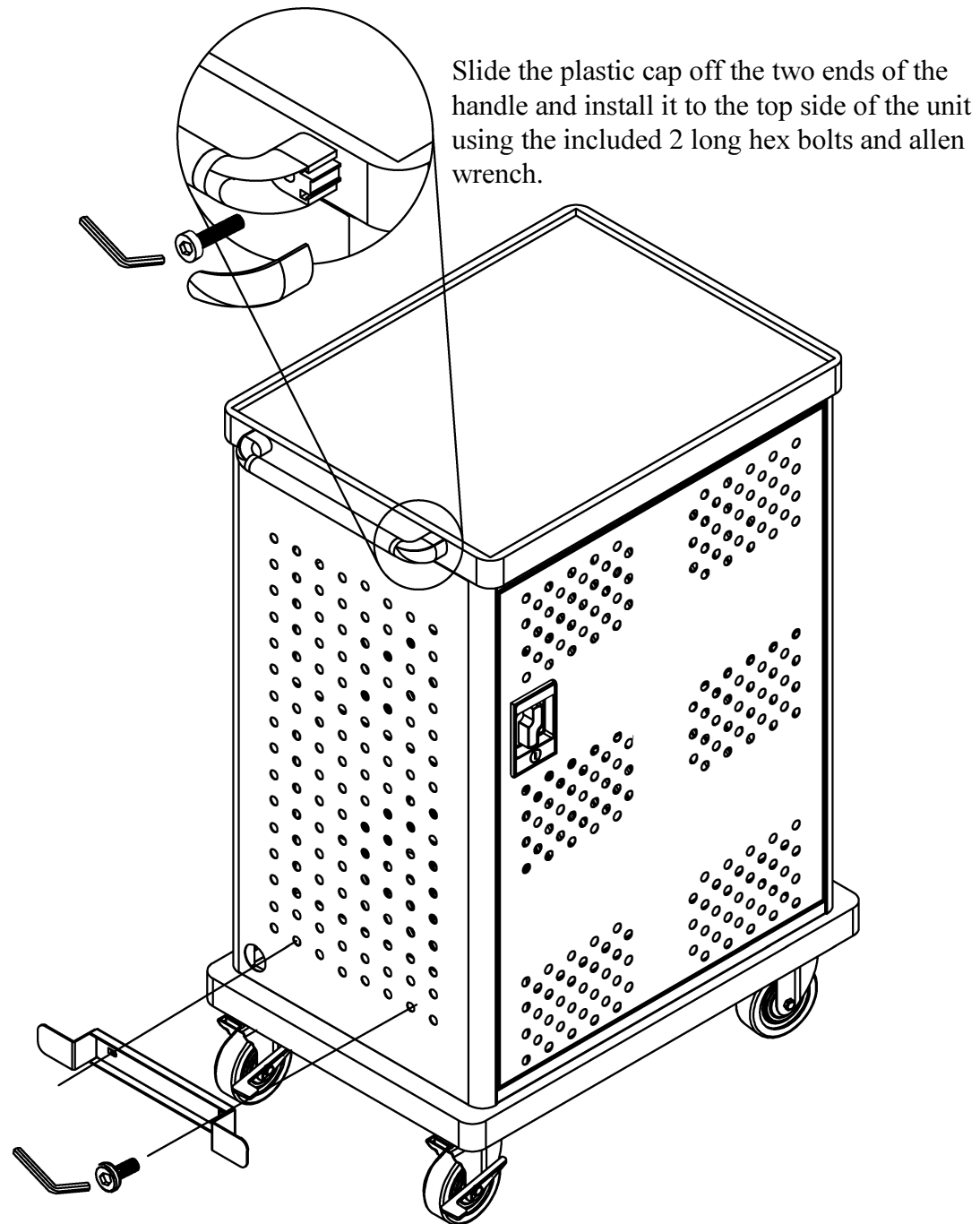
Dear Customer,

Thank you for your purchase.

Although extreme care goes into manufacturing & packaging of this product, mistakes are possible. If you encounter any missing parts or difficulty in assembly, etc. please call our customer service TOLL FREE at 1-800-261-4112 for courteous & immediate resolution to your problem.

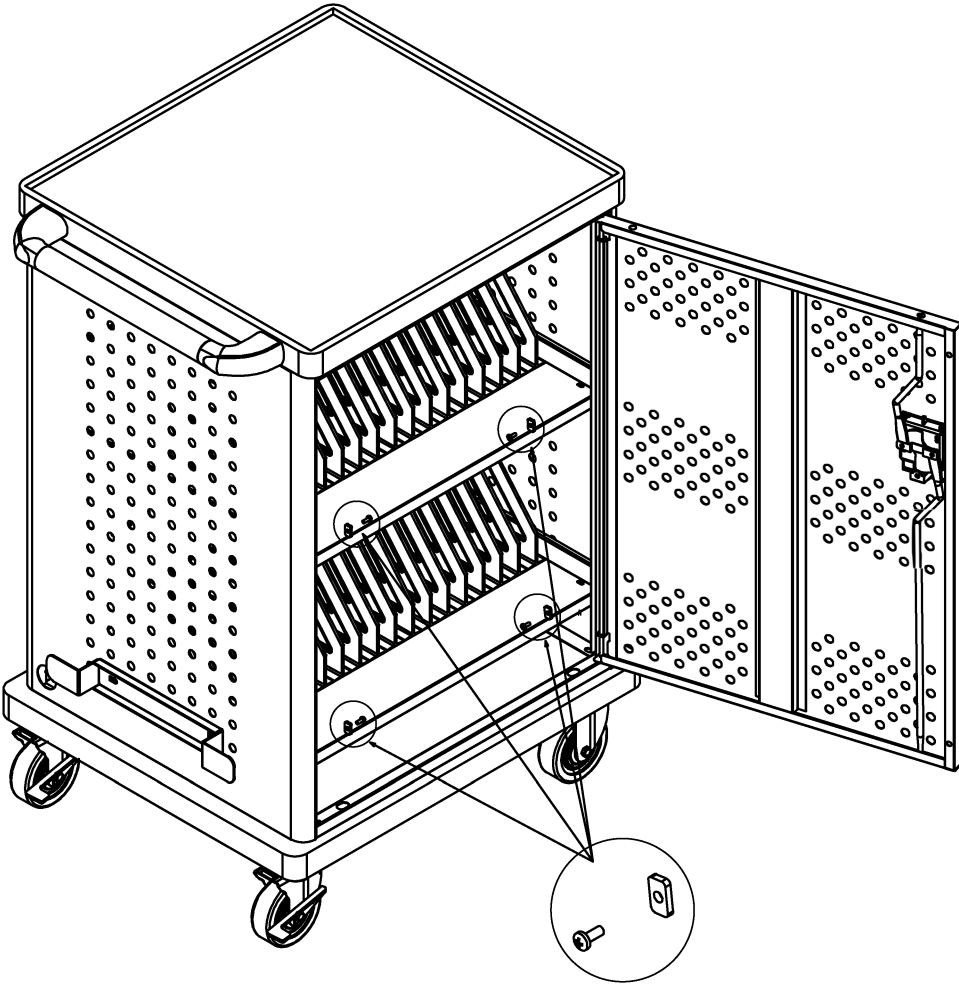
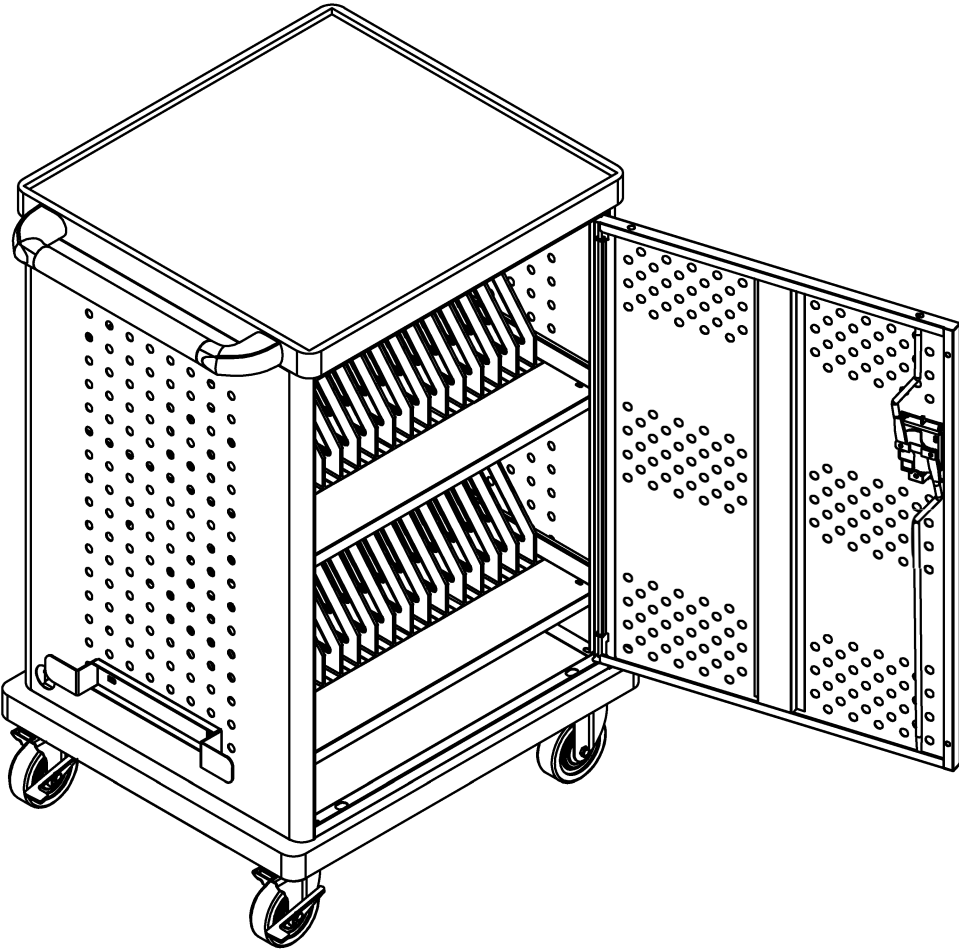


Begin by facing the unit upside down and install each caster using 4 screws and 8 washers. Two washers (1 big and 1 small) should be inserted onto each screw as illustrated above.

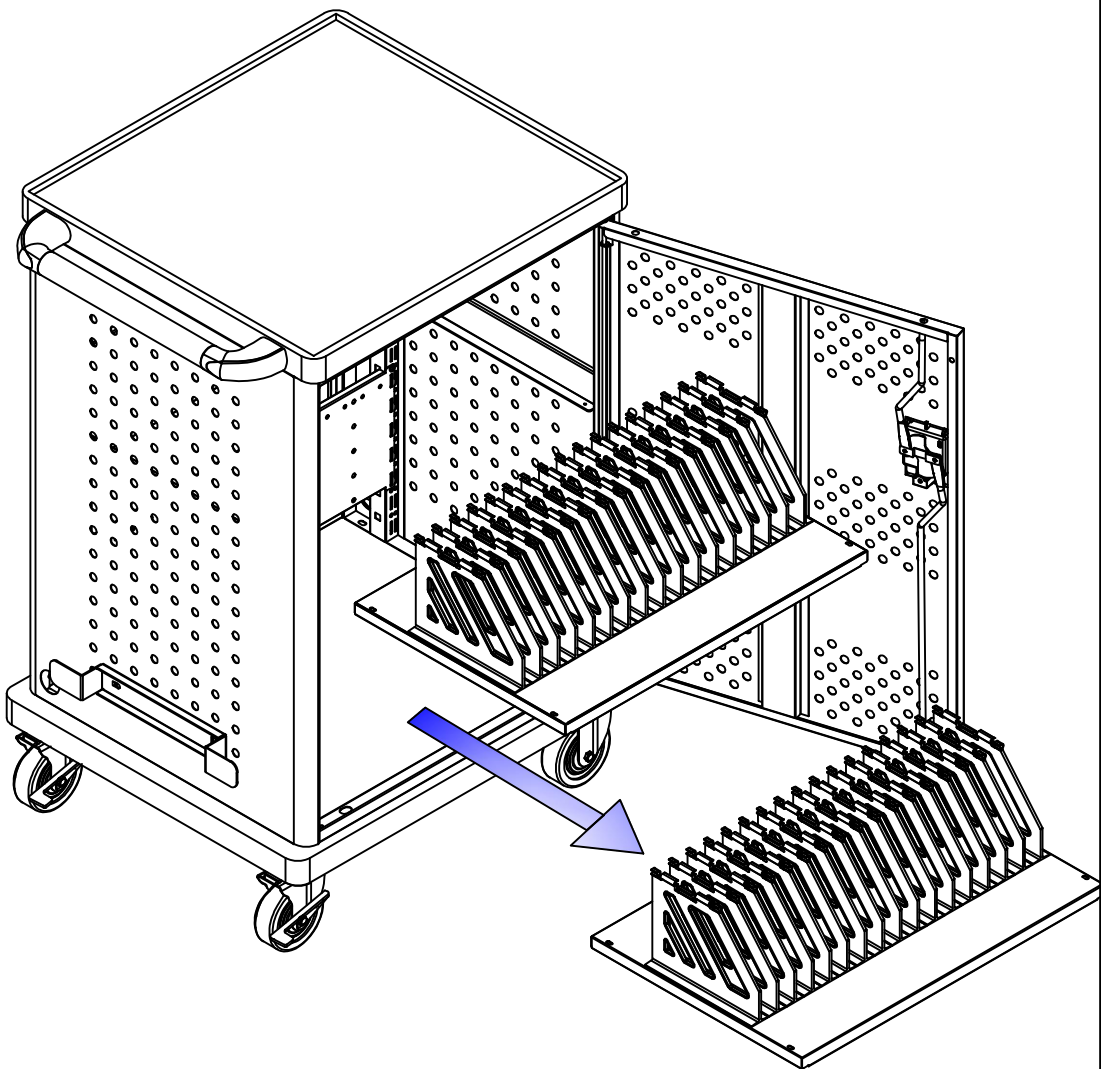


Next, install the cord management hook to the lower side of the unit using the included hex bolt and allen wrench as demonstrated above.

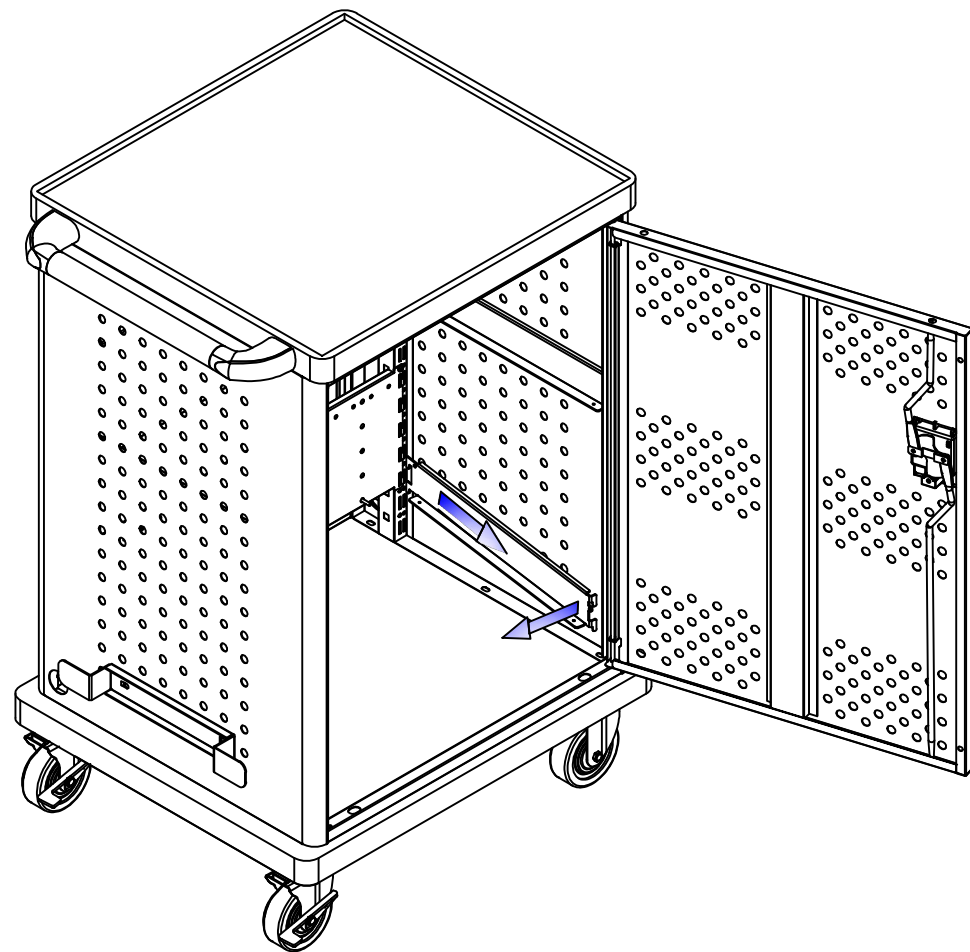
Instructions to adjust shelving



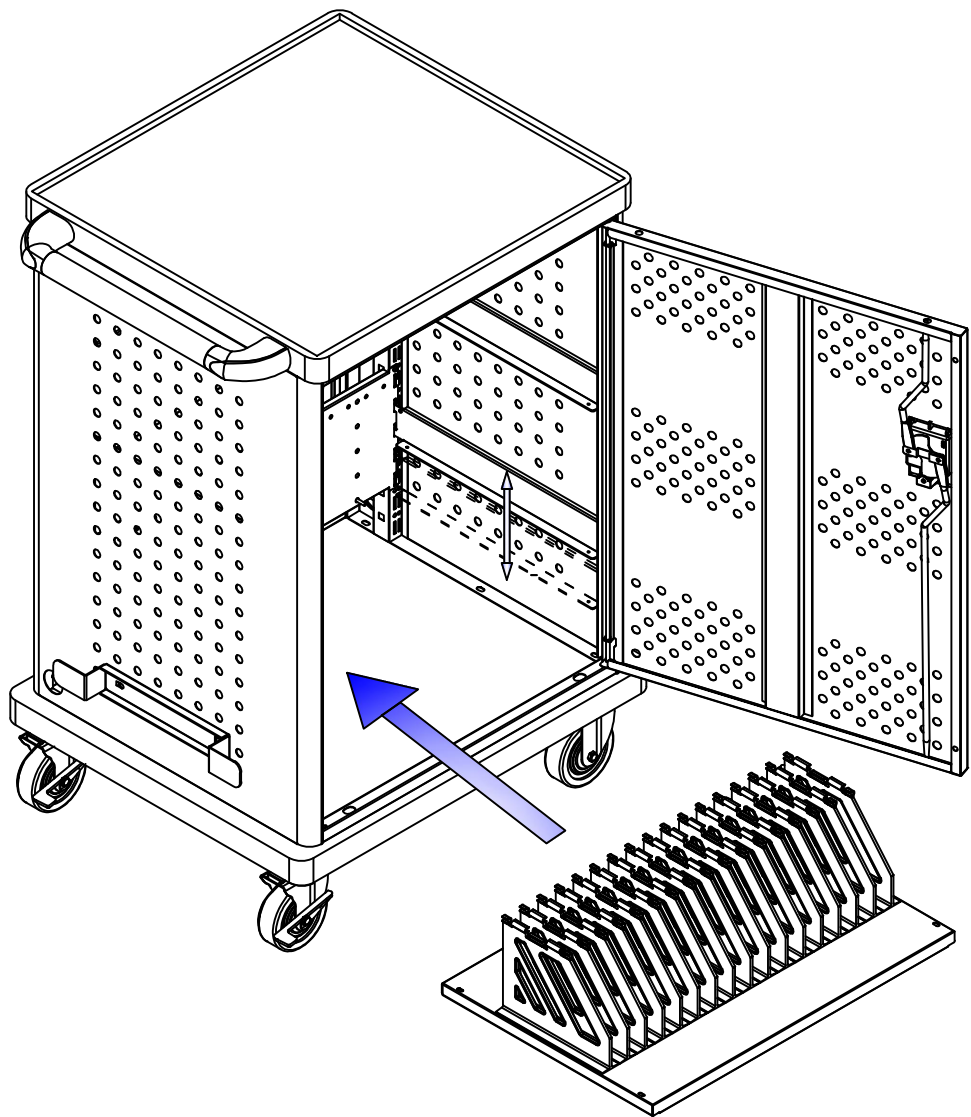
Begin by removing the 4 screws and tabs from the side of the shelves as illustrated above.



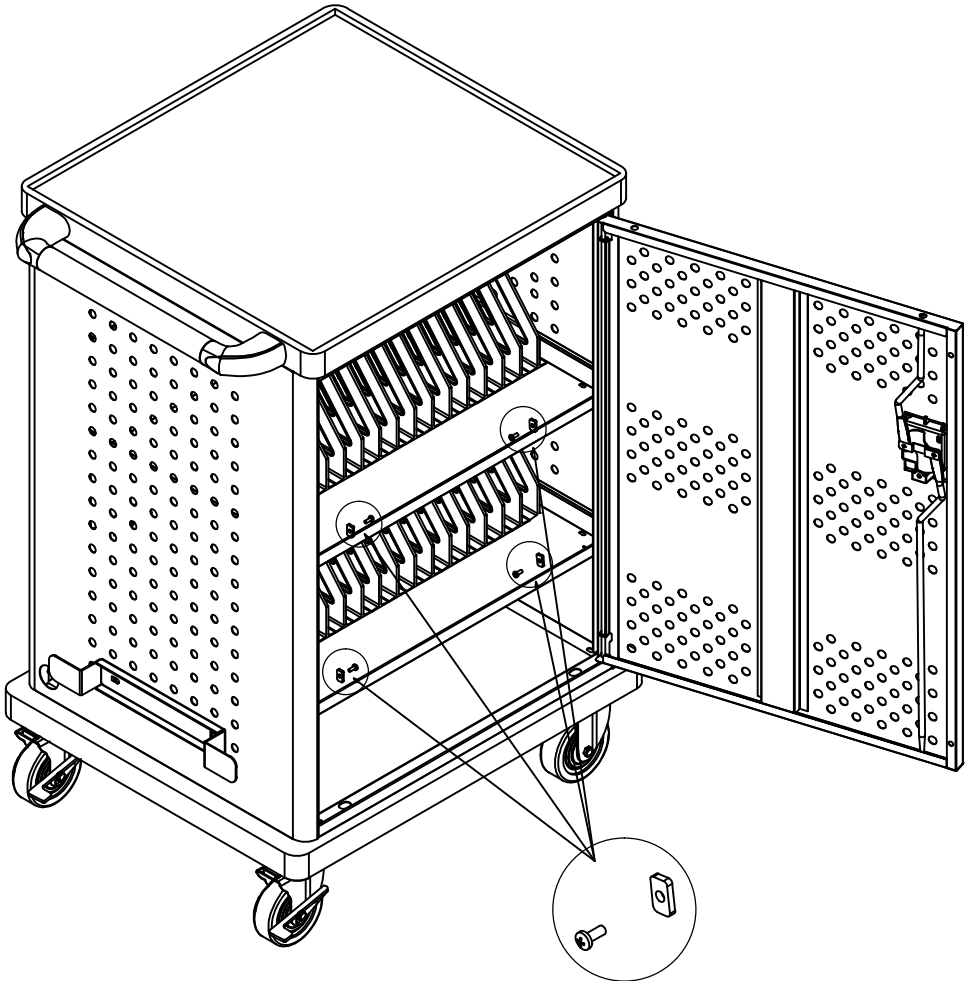
Slide shelves out of cabinet.



Lift and adjust the side shelf supports to the desired height.



Insert the shelves into the cabinet.



Replace the screws and tabs for extra shelf stability (not required)