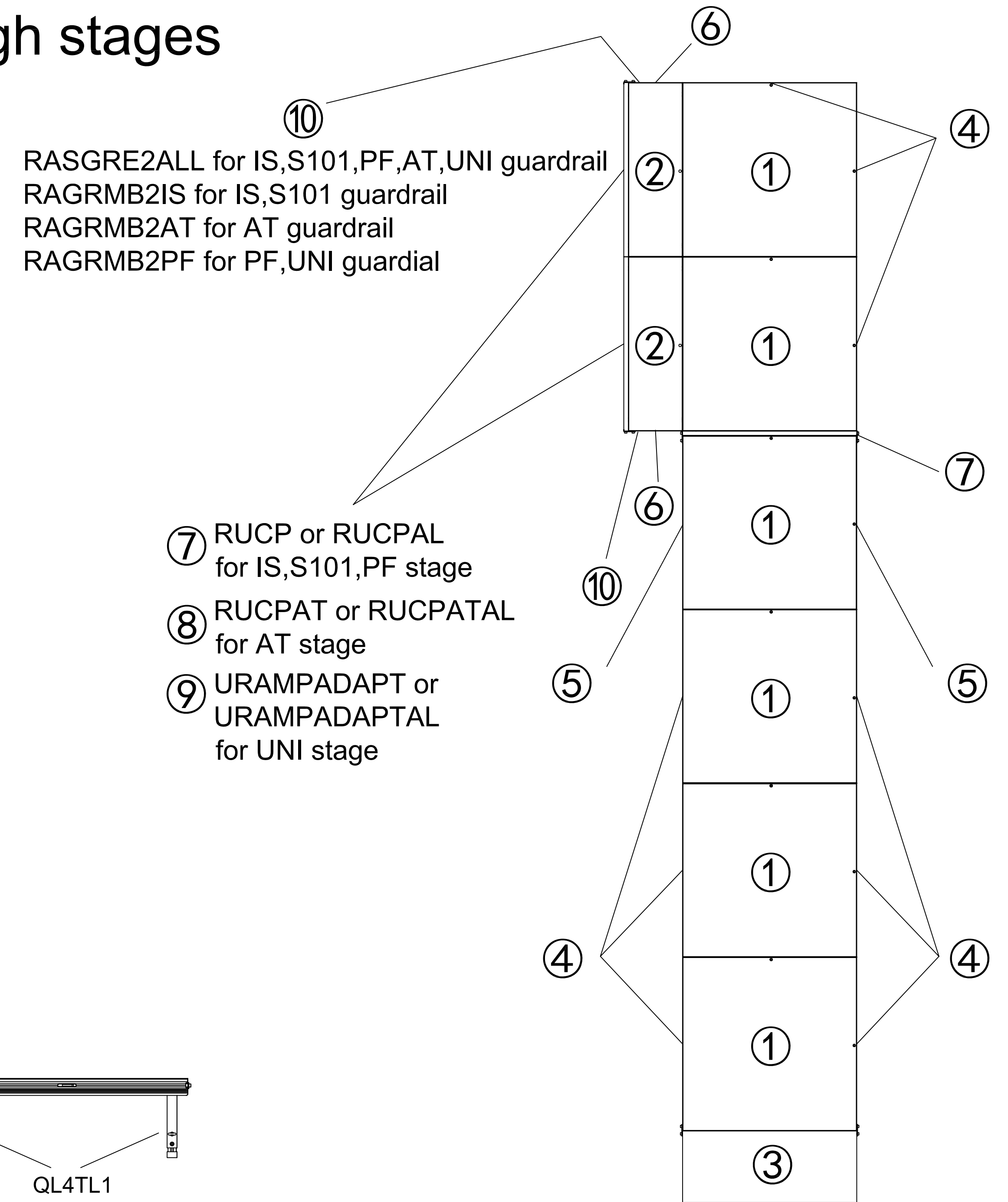
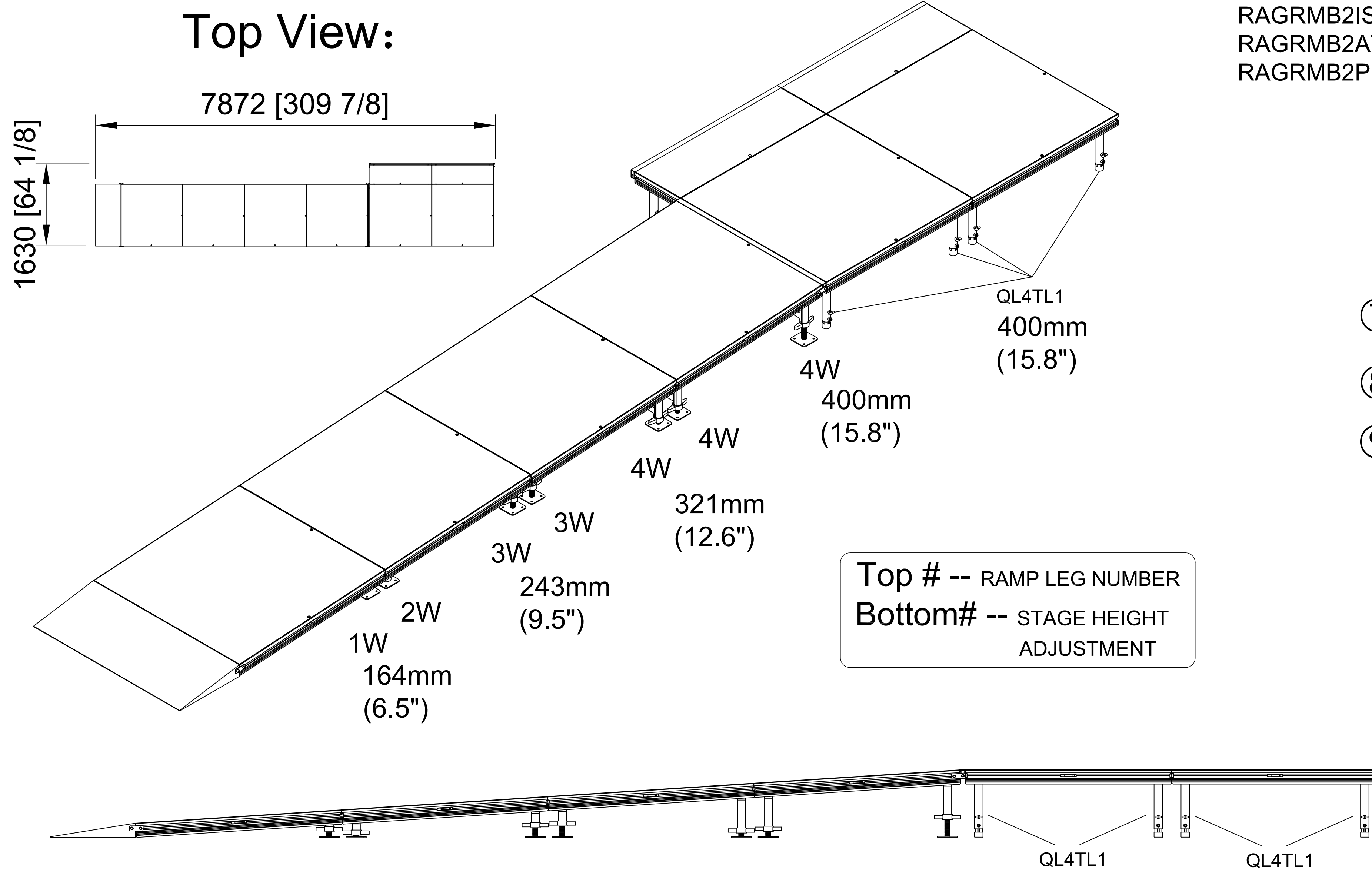


R16LWI, R16LWC, R16LWAL

Wheelchair ramp with landing and guardrail for 16 inches high stages
(guardrail not show)



Main components

SKU	DESCRIPTION	PCS PER MASTER PACK	QTY IN SET
① QLP4C or QLP4I or QLP4AL	4 ft x 4 ft Carpet Finish platform 4 ft x 4 ft Industrial Finish platform 4 ft x 4 ft Aluminum Finish platform	1	6
② RPS4C or RPS4I or RPS4AL	4 ft x 15" Carpet Finish platform 4 ft x 15" Industrial Finish platform 4 ft x 15" Aluminum Finish platform	1	2
③ RBP or RBPAL	4ft Metal ramp bottom plate with mounting hardware 4ft Aluminum ramp bottom plate with mounting hardware	1	1
RL1W	Wheelchair ramp leg # 1 - leg base included	1	1
RL2W	Wheelchair ramp leg # 2 - leg base included	1	1
RL3W	Wheelchair ramp leg # 3 - leg base included	1	2
RL4W	Wheelchair ramp leg # 4 - leg base in separate box	1	3
QL4TL1	Telescopic leg adjustable from 16" to 24"	4	4
④ QLGRD4 or QLGRS4	Guardrails for 4x4 platform - dual pack Guardrails for 4x4 platform - single pack	2 1	4 1
⑤ RAGR4D	Adjustable guardrails for 4ft ramp platform with RAGREW - dual pack	2	1
⑥ RASGRD	Adjustable guardrails for 4ftX15" ramp platform with RASGRE - dual pack	2	1

Selected according to the situation

remark:	QUICK LOCK: QL PROFLEX :PF	INTELLISTAGE: IS ALL TERRAIN:AT	STAGING 101:S101 UNIVERSAL STAGE:UNI	QL	IS	S101	PF	AT	UNI
⑦ RUCP or RUCPAL	4ft ramp to stage connecting panel -Metal Finish 4ft ramp to stage connecting panel -Aluminum Finish			1	3	3	3	1	1
⑧ RUCPAT or RUCPATAL	4ft ramp to All Terrain stage connecting panel -Industrial Finish 4ft ramp to All Terrain stage connecting panel -Aluminum Finish							2	
⑨ URAMPADAPT or URAMPADAPTAL	4ft ramp to Universal stage connecting panel -Metal Finish 4ft ramp to Universal stage connecting panel -Aluminum Finish								2
⑩ RASGRE2ALL RAGRMB2IS RAGRMB2AT RAGRMB2PF	RASGRD Guardrail Extension parts Connector securing ramp guardrail to IS & S101 stage Connector securing ramp guardrail to AT stage Connector securing ramp guardrail to PF & UNI stage				1 1	1 1	1 1	1 1	1 1