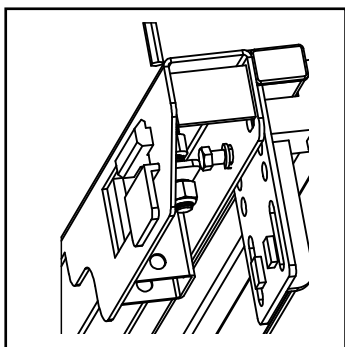


STEP 10 - ATTACHING ULTRA-STAIR UNIT

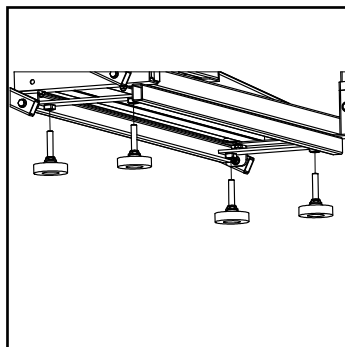
The Bil-Jax Ultra-Stair Units come in a range of sizes that can adjust to stage heights of 12" to 70".

- A) The Ultra-Stair Unit requires an adapter when used with AS2100 stages. Attach adapter by inserting 3/8" x 1" bolt with lock washer through slot in adapter and into threaded block on stair mount plate.
- B) Screw in foot pads in bottom of lower step.
- C) If stage height is over 3', insert 1-3/4" sq. leg into the two sockets of the stair adapter and attach with 2-3/8" snap pin for extra support.
- D) Set the lower lip of the two adapter locks inside the stage deck channel along the perimeter of the stage decks.
- E) Insert 5/16" T-Handle hex wrench in bolt head in the top of the stair adapter and rotate so the T-Lock clamps the adapter to the stage.
- F) Lower the stairs so the foot pads touch the ground. Adjust foot pads so the height of bottom step matches rise of other steps.
- G) Tighten wing nut on slotted lock bar on each side of stairs.
- H) On each side of stairs, rotate threaded lock bar perpendicular to stair stringer tubes. Rotate wing nut so that the saddle weldment is pressed tight against upper stringer tube.
- I) Insert hand rail post into step socket. Attach with washer, 3/8" x 2" bolt and lock nut. Repeat for all four posts.
- J) Place hand rail so it straddles post. Attach with 3/8" x 2-1/4" bolt and lock nut. Repeat on each end for all four hand rails.

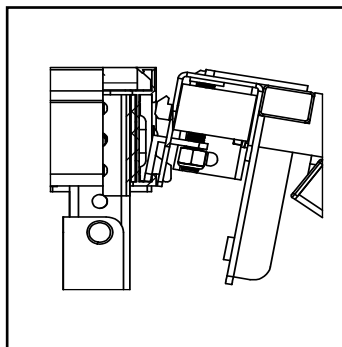
! WARNING ! – Failure to correctly install stairs could result in serious injury or death. Verify that each T-Lock is fully seated inside the stage deck channel and locked in place. Also verify that all nuts on lock bars are tightened.



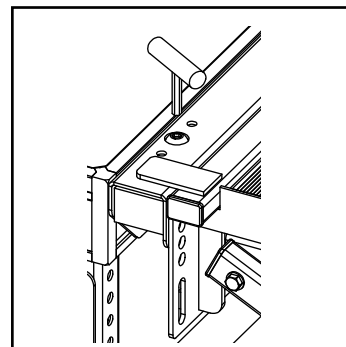
A



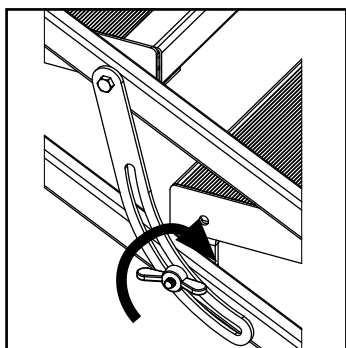
B



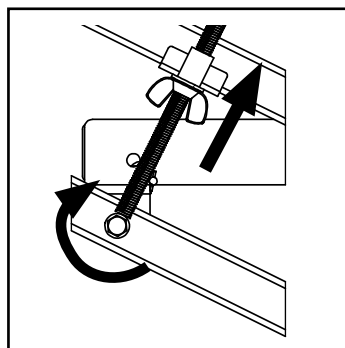
C D



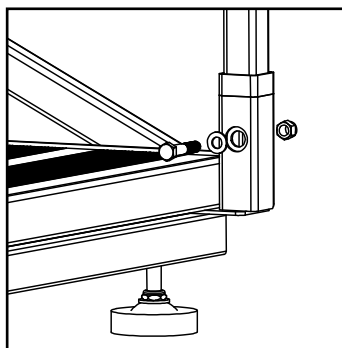
E



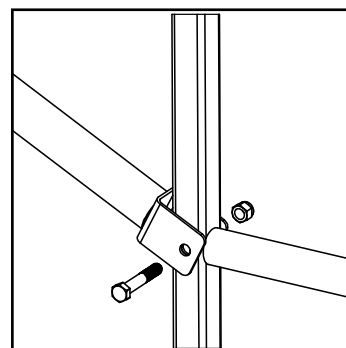
G



H



I



J